

Why choose Geelong Survey Solutions?

We are **fully insured** for professional indemnity, work cover, public liability insurance.

Personal service - you get to speak to the surveyor handling your work.

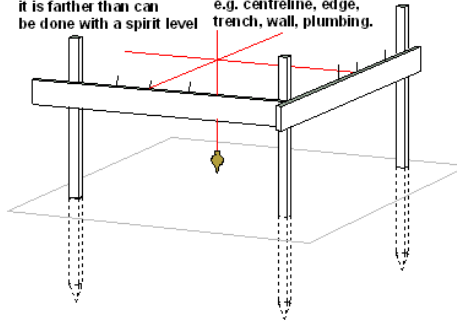
Efficiency - as we deal in smaller projects we have a fast turnaround and can move jobs around to suit urgent matters

Accuracy - guaranteed accuracy with qualified surveyor with up to date equipment, regularly calibrated and maintained.



use plumb bob to get point below if it is farther than can be done with a spirit level

clearly mark what the various nails are for. e.g. centreline, edge, trench, wall, plumbing.



Geelong Survey Solutions

Craig Vanderpol
0421 421 744

Phone: (03) 5265 6000
Address: 112 Monahans Road
GNARWARRE VIC 3221

E-mail: office@geelongsurveysolutions.com.au

Geelong Survey Solutions

Land & Engineering Surveyors

Specialising in Building Set Outs

- Residential
- Unit Developments
- Commercial
- Owner/Builders



Engineering Services

What do we offer:

- Stake out corners of building for excavation.
- Provide floor levels to assist in site cuts.
- Connect to Australian Height Datum for flood level zone areas
- Set out accurate offsets to external wall lines on hurdles.
- Pin footings after concrete pour for bricklayers.
- Stake out columns for excavation.
- Pin centre of footings for steel column placement.
- Set out bolt patterns for commercial or industrial factories.
- Set out for retaining walls.
- Set out for pools.
- Water capture and dam positions



More examples and info at our website:

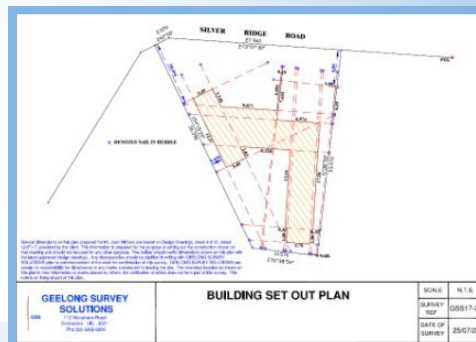
www.geelongsurveyolutions.com.au

Building Set Out

- We build stable hurdles and accurately pin offsets to string line for external wall lines.
- We double check all measurements on site and in the office.
- You receive a set out plan via email shortly after being on site. This enables the builder to double check dimensions used against the current architectural plan.

Our instrument is regularly calibrated and serviced.

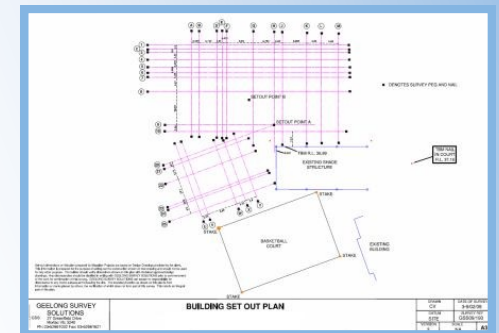
Ideal for those time restrained builders needing urgent set outs, as we have a fast turnaround time.



Qualifications

Craig has **over seventeen years experience** in the surveying industry and seven years in his own company.

Craig is **fully qualified** and studied his Bachelor of Spatial Science Technology degree in Queensland in 2006 and has received excellent training and supervision by licensed surveyors.



"Using a qualified experienced surveyor saves you time and money and gives you peace of mind"